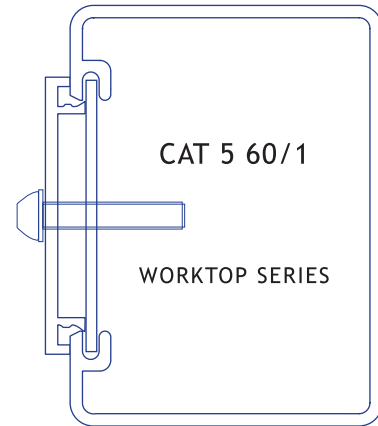


SPECIAL ORDER - CUSTOM MADE FABRICATION

Fixed Lid Security Application

Fixed Lid Security fittings can be made for most of our standard profiles as per examples below. Contact us to discuss your requirements



Please specify your SECURITY APPLICATION when using product codes from those pages.

Can be supplied with:

- Tamper proof fixings
- OR
- Standard domehead fixings

Specific supporting accessories for profile examples shown are on the relevant datasheets:

CAT 5 60/1 60.1130

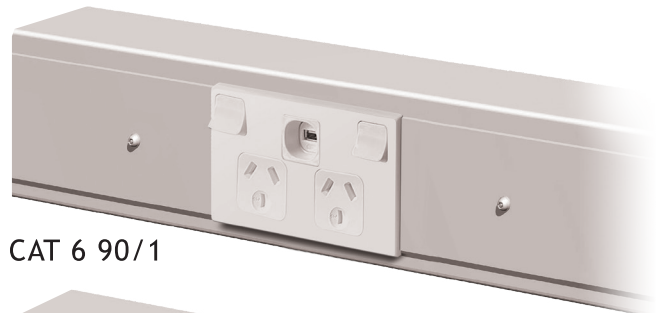
CAT 6 90/1 90.1136

CAT 6 180/2 180.2136

NB: All custom made fabrications are firm sale once ordered and non-returnable



CAT 5 60/1
Worktop Series

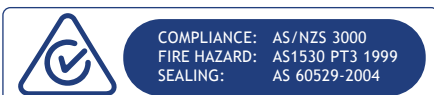


CAT 6 90/1



CAT 6 180/2

*IMAGES ARE NOT TO SCALE / PROPORTION



0800 828 914

15 Patiki Road, Avondale, Auckland, NZ

www.interserv.co.nz