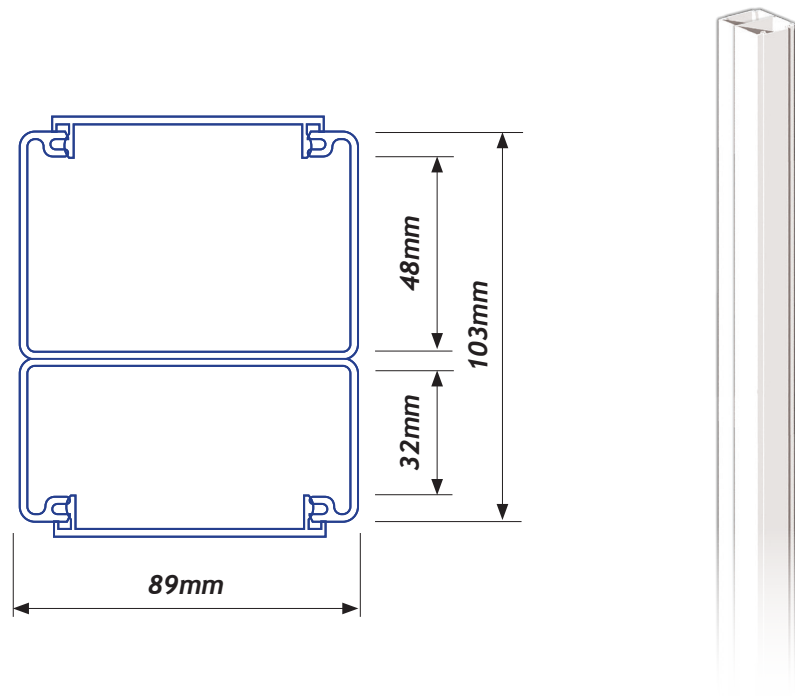


# CAT 6 105/2 COLUMN PROFILE



† Bespoke column height options available.  
Contact Interserv to discuss your particular needs.

PROFILE LENGTHS	PART No.
3.1 metre	CAT 6 105.2236
6.2 metre	CAT 6 105.2266
Includes covers + floor mount	

## ACCESSORIES\*

### FLOOR MOUNT

Floor Mounting Brackets PAIR 105.2456



### COMPRESSION JACKS

300mm 15.3000  
600mm 15.6000



### FIXING PLATES

70mm Large Outlet PAIR 70.0040



### FINISHING FLANGE

PVC Ceiling Flange 105.2250



\*IMAGES ARE NOT TO SCALE / PROPORTION



0800 828 914

15 Patiki Road, Avondale, Auckland, NZ

[www.interserv.co.nz](http://www.interserv.co.nz)