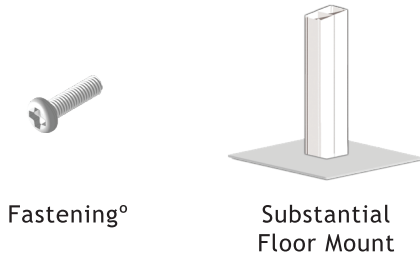
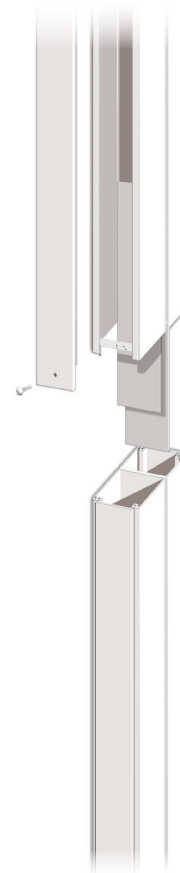
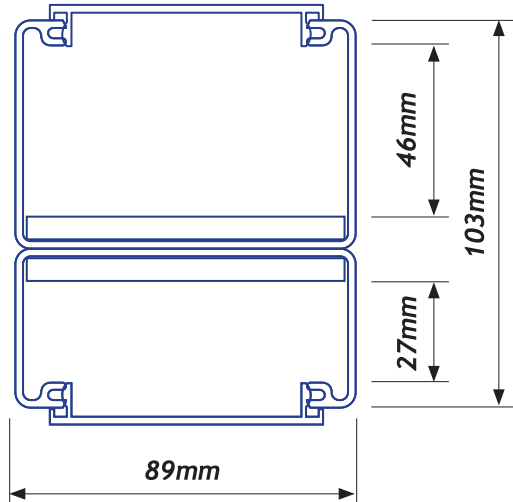


# CAT 6 105/2E EXTENDED COLUMN PROFILE



† Bespoke column height options available. 9 metres recommended maximum height. Contact Interserv to discuss your particular needs.

PROFILE LENGTHS †	PART No.
3.1 metre	CAT 6 105.2236
6.2 metre	CAT 6 105.2266
Includes covers + floor mount	

## ACCESSORIES\*

FLOOR MOUNT	PART No.
Floor Mounting Bracket	10.0090



COMPRESSION JACKS	PART No.
300mm	15.3000
600mm	15.6000



FIXING PLATES	PART No.
70mm Large Outlet PAIR	70.0040



FINISHING FLANGE	PART No.
PVC Ceiling Flange	105.2256



° Lid fastenings used on secondary column section lids for safety. Fastenings can be colour matched. Security puzzle screws available.



\*IMAGES ARE NOT TO SCALE / PROPORTION