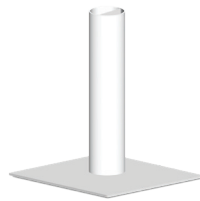
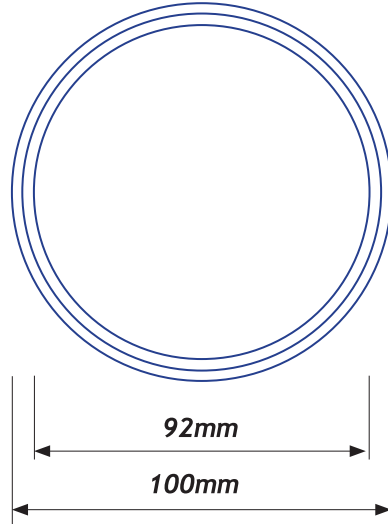


CAT 6 100RE EXTENDED COLUMN PROFILE



Substantial Floor Mount



† Bespoke column height options available. 12 metres recommended maximum height. Contact Interserv to discuss your particular needs.

| PROFILE LENGTHS † | PART No. |
|-------------------|----------------|
| 3.1 metre | CAT 6 100.2236 |
| 6.2 metre | CAT 6 100.2266 |
| Includes mounts | |

ACCESSORIES*

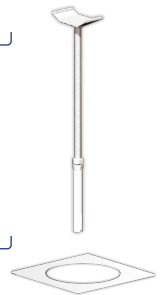
| MOUNTS | PART No. |
|----------------------|----------|
| Floor Mount | 100.0166 |
| Desk / Ceiling Mount | 100.0156 |



| MOUNTING PAD | PART No. |
|-------------------------------|----------|
| 100R Data & Plug mounting pad | 100.0116 |



| COMPRESSION JACKS | PART No. |
|-------------------|----------|
| 300mm | 15.3000 |
| 600mm | 15.6000 |



| FINISHING FLANGE | PART No. |
|--------------------|----------|
| PVC Ceiling Flange | 100.0256 |



*IMAGES ARE NOT TO SCALE / PROPORTION

0800 828 914
15 Patiki Road, Avondale, Auckland, NZ

www.interserv.co.nz