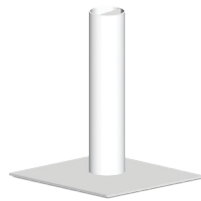
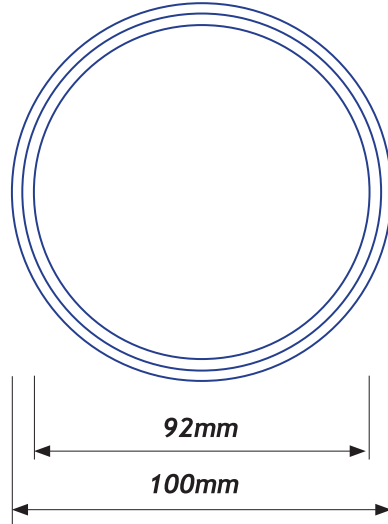


# CAT 6 100R2 EXTENDED COLUMN PROFILE



Substantial Floor Mount



† Bespoke column height options available. 12 metres recommended maximum height. Contact Interserv to discuss your particular needs.

PROFILE LENGTHS †	PART No.
3.1 metre	CAT 6 100.2236
6.2 metre	CAT 6 100.2266
Includes mounts	

## ACCESSORIES\*

MOUNTS	PART No.
Floor Mount	100.0166
Desk / Ceiling Mount	100.0156



COMPRESSION JACKS	PART No.
300mm	15.3000
600mm	15.6000



MOUNTING PAD	PART No.
100R Data & Plug mounting pad	100.0116



FINISHING FLANGE	PART No.
PVC Ceiling Flange	100.0256



COMPLIANCE: AS/NZS 3000  
FIRE HAZARD: AS1530 PT3 1999  
SEALING: AS 60529-2004

\*IMAGES ARE NOT TO SCALE / PROPORTION

0800 828 914  
15 Patiki Road, Avondale, Auckland, NZ

[www.interserv.co.nz](http://www.interserv.co.nz)