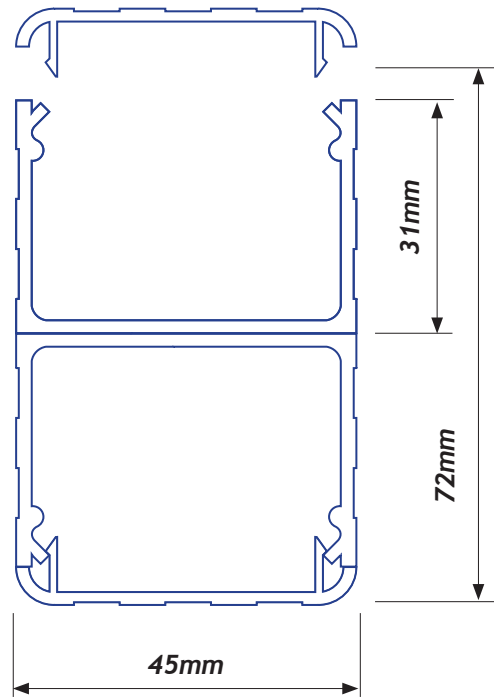


CAT 5 45/2 COLUMN PROFILE



PROFILE LENGTHS	PART No.
3.1 metre	CAT 5 45.2230
6.2 metre	CAT 5 45.2260
Includes covers + floor mount	

† Bespoke column height options available.
Contact Interserv to discuss your particular needs.

ACCESSORIES*

FLOOR MOUNT PART No.
Floor Mounting Brackets PAIR CAT 5 45.2450



COMPRESSION JACKS PART No.
300mm 15.3000
600mm 15.6000



FIXING PLATES PART No.
45mm Intermediate Outlet PAIR 45.0040



FINISHING FLANGE PART No.
PVC Ceiling Flange 45.2250



*IMAGES ARE NOT TO SCALE / PROPORTION


COMPLIANCE: AS/NZS 3000
FIRE HAZARD: AS1530 PT3 1999
SEALING: AS 60529-2004

0800 828 914
15 Patiki Road, Avondale, Auckland, NZ

www.interserv.co.nz