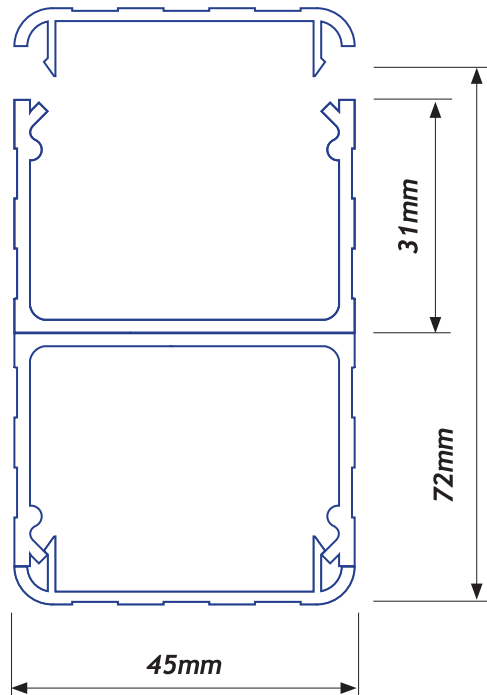


# CAT 5 45/2 COLUMN PROFILE



PROFILE LENGTHS	PART No.
3.1 metre	CAT 5 45.2230
6.2 metre	CAT 5 45.2260
Includes covers + floor mount	

† Bespoke column height options available.  
Contact Interserv to discuss your particular needs.

## ACCESSORIES\*

### FLOOR MOUNT

Floor Mounting Bracket      10.0045



### COMPRESSION JACKS

300mm      15.3000  
600mm      15.6000



### FIXING PLATES

45mm Intermediate Outlet PAIR      45.0040



### FINISHING FLANGE

PVC Ceiling Flange      45.2250



\*IMAGES ARE NOT TO SCALE / PROPORTION



**0800 828 914**

15 Patiki Road, Avondale, Auckland, NZ

[www.interserv.co.nz](http://www.interserv.co.nz)