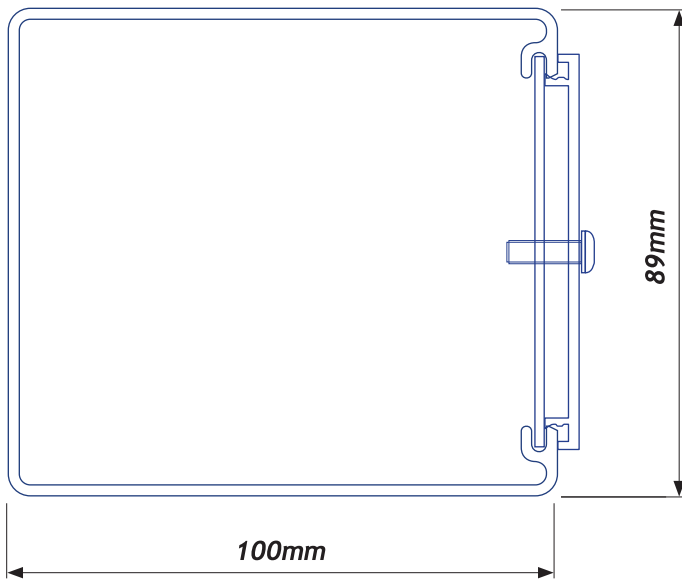


# CAT 6A SINGLE CHANNEL SECURE LIDS

## CAT 6A 90/1



Refer to individual datasheets for further profile and accessories information.

### FASTENINGS

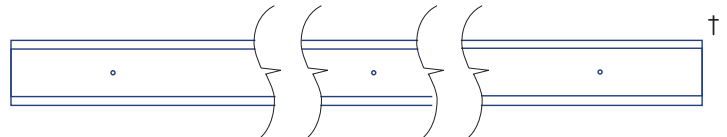
Security puzzle screws available.  
 Fastenings can be colour matched.



### FIXING PLATES

PART No.

70mm Large Outlet PAIR 70.0040



† Available in 3.1m and 6.2m lengths.  
 Bespoke length options are available.  
 3 fastenings per length, 150mm from the ends and in the centre.  
 Contact Interserv to discuss your particular needs.

**NB:** All custom made fabrications are firm sale once ordered and non-returnable

\*IMAGES ARE NOT TO SCALE / PROPORTION



0800 828 914

15 Patiki Road, Avondale, Auckland, NZ

www.interserv.co.nz